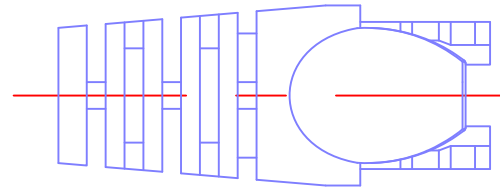
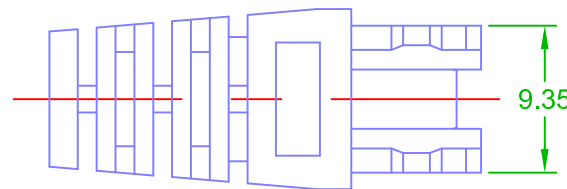
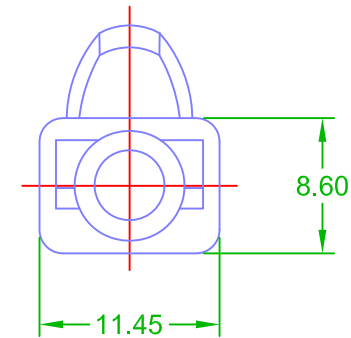
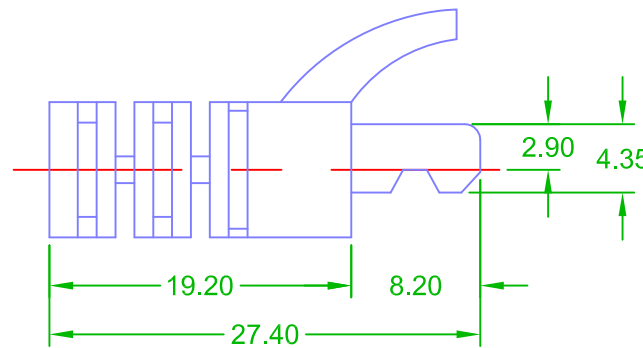
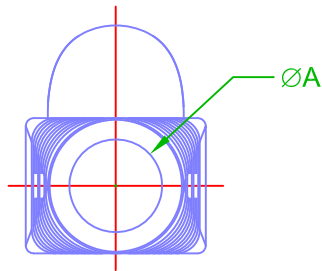


PMC Drawing Number:SR-010M-□□□□□

1. Material:30P PVC, UL94V-0, DEHP, DINP is less than 0.1%.
2. Color Available: RD=Red, OR=Orange, YL=Yellow, GN=Green, BL=Blue, PU=Purple, BK=Black, GY=Gray, WH=White, CR=Clear
3. Inner Diameter Available:5.0mm=50, 5.5mm=55, 6.0mm=60, 6.5mm=65, 6.8mm=68
4. Packaging Quantity: ⊙=1000pcs, ⊕=500pcs, ⊖=250pcs, ⊗= 200pcs, ⊘=100pcs, ⊙= 50pcs, ⊚= 25pcs, ⊛= 10pcs



SR-010M-□□□□□
 □□□□□—Packaging Quantity(S, T, U, V, W, X, Y, Z)
 □□□□□—Inner Diameter:(50, 55, 60, 65, 68)
 □□□□□—Color (RD, OR, YL, GN, BL, PU, BK, GY, WH, CR)



NOTE TOL:±0.15

C	2022.08.17. Revised Date	3RD		Drawing	<i>Chidy</i>	Date	2012/08/08	Part.NO	SR-010M
A	An initial version	Unit	m/m	Checked	<i>Chris</i>	Date	2012/08/08	Description	
Rev	Description	Scale	1:1	Approved	<i>Jason</i>	Date	2012/08/08	Plug Boot	



Plug Master
 INDUSTRIAL CO.,LTD
 www.plugmaster.com.tw